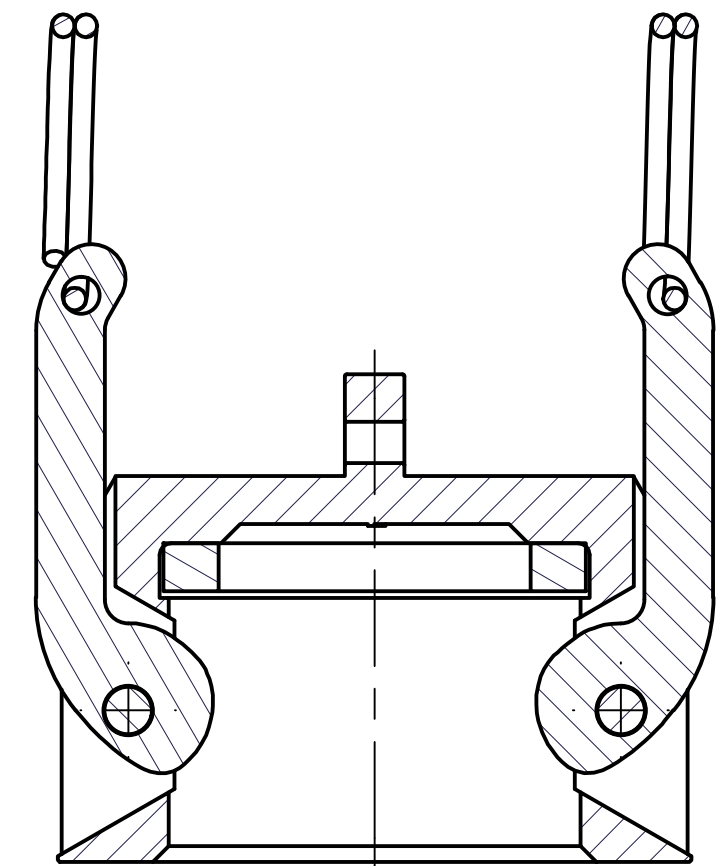
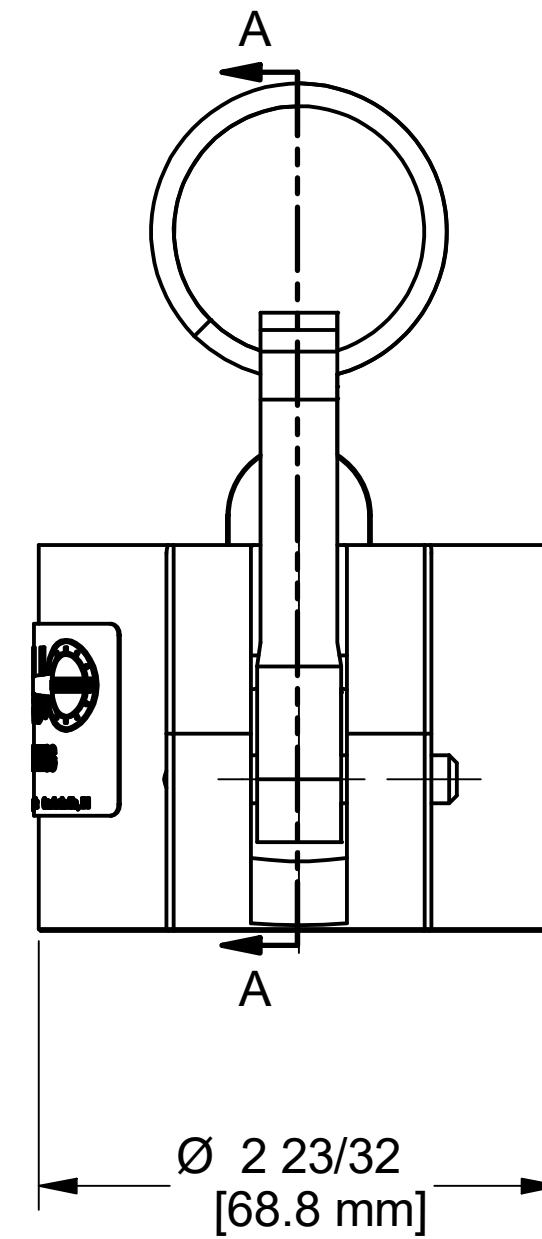
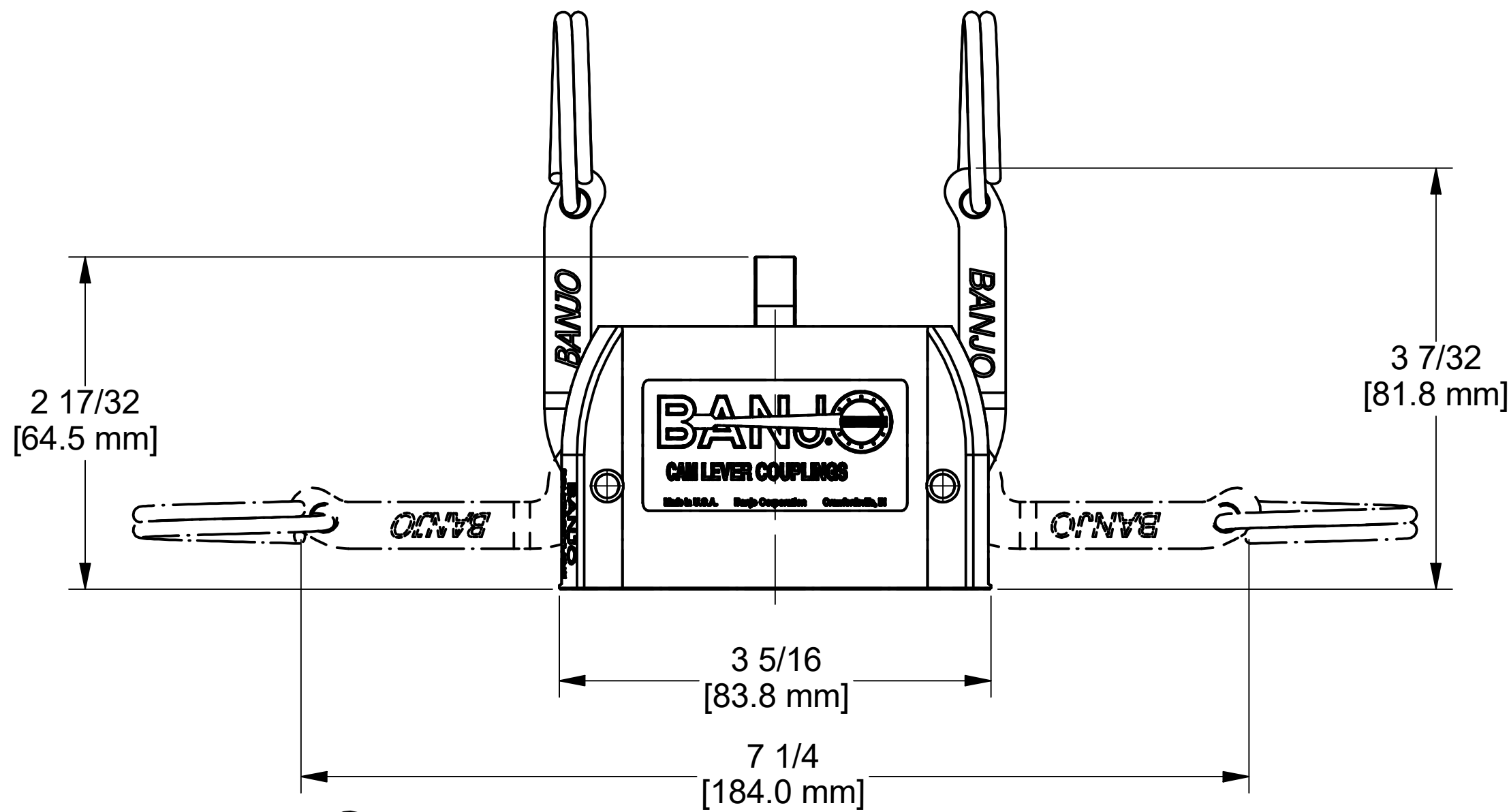
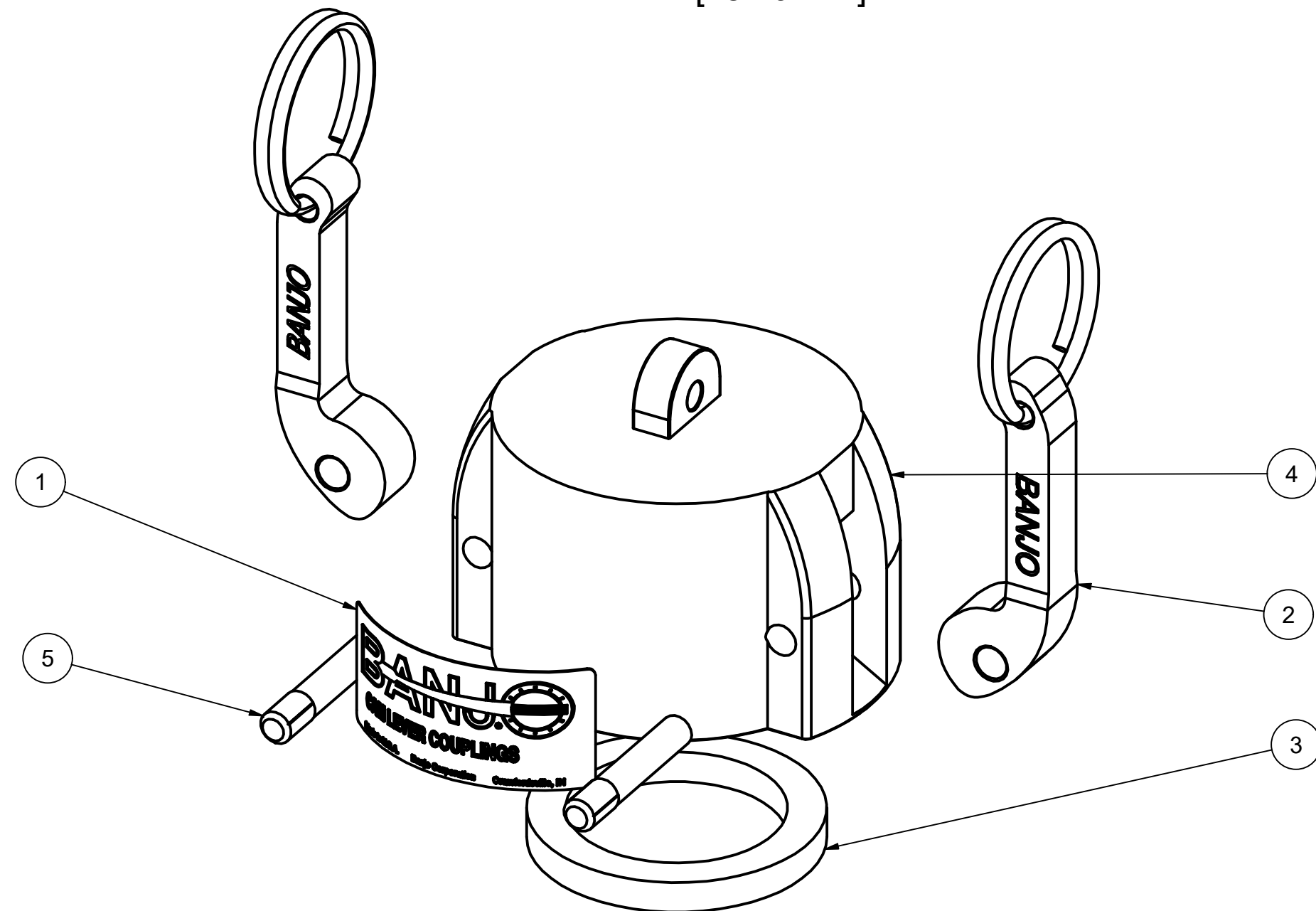


| PARTS LIST | | | | |
|------------|-----|-------------|--------------------------|--|
| ITEM | QTY | PART NUMBER | DESCRIPTION | |
| 1 | 1 | 150(200)D | CAM LEVER COUPLING DECAL | |
| 2 | 2 | 150(200)K | 1 1/2" & 2" CAM ARM | |
| 3 | 1 | 150G | 1 1/2" Coupling Gasket | |
| 4 | 1 | 150XCAP | 1 1/2" CAP, MOLDED | |
| 5 | 2 | 200P | CAM ARM PIN | |



SECTION A-A
SCALE 1 : 1



THIS DRAWING AND ALL INFORMATION CONTAINED THEREON ARE THE EXCLUSIVE PROPERTY OF BANJO CORPORATION.

UNLESS SPECIFICALLY NOTED, THIS DRAWING AND ITEMS SHOWN ON THIS DRAWING ARE SUBJECT TO CHANGE AT ANY TIME.

BANJO CORPORATION
150 BANJO DRIVE, CRAWFORDSVILLE, IN 47933
WEB SITE: WWW.BANJOCORP.COM
E-MAIL: BANJOSALES@IDEXCORP.COM

DESCRIPTION
1-1/2" CAP

PART NUMBER
150CAP