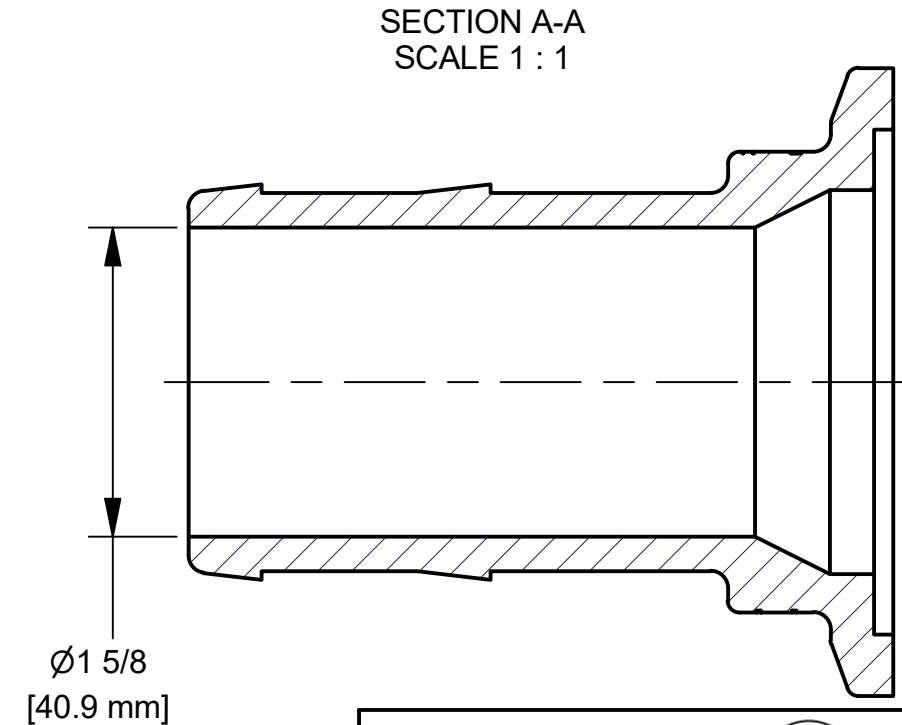
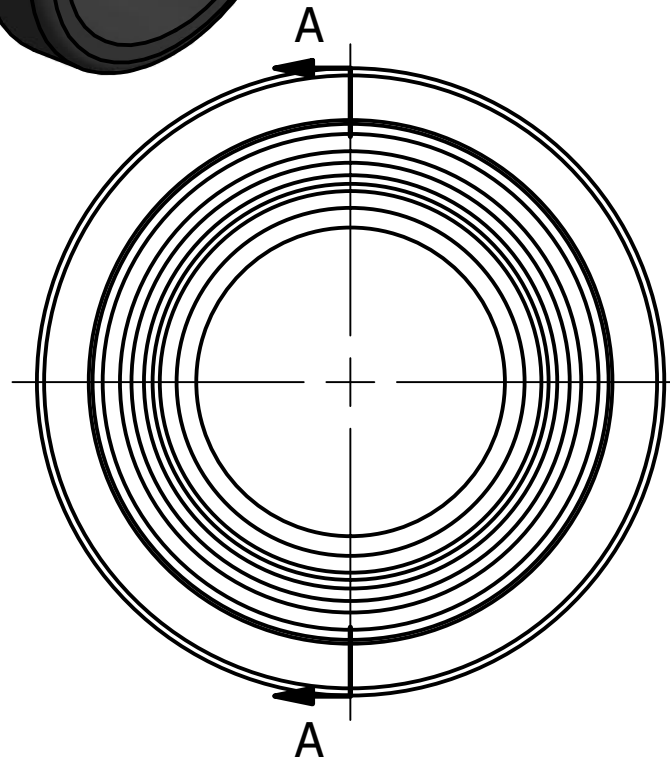
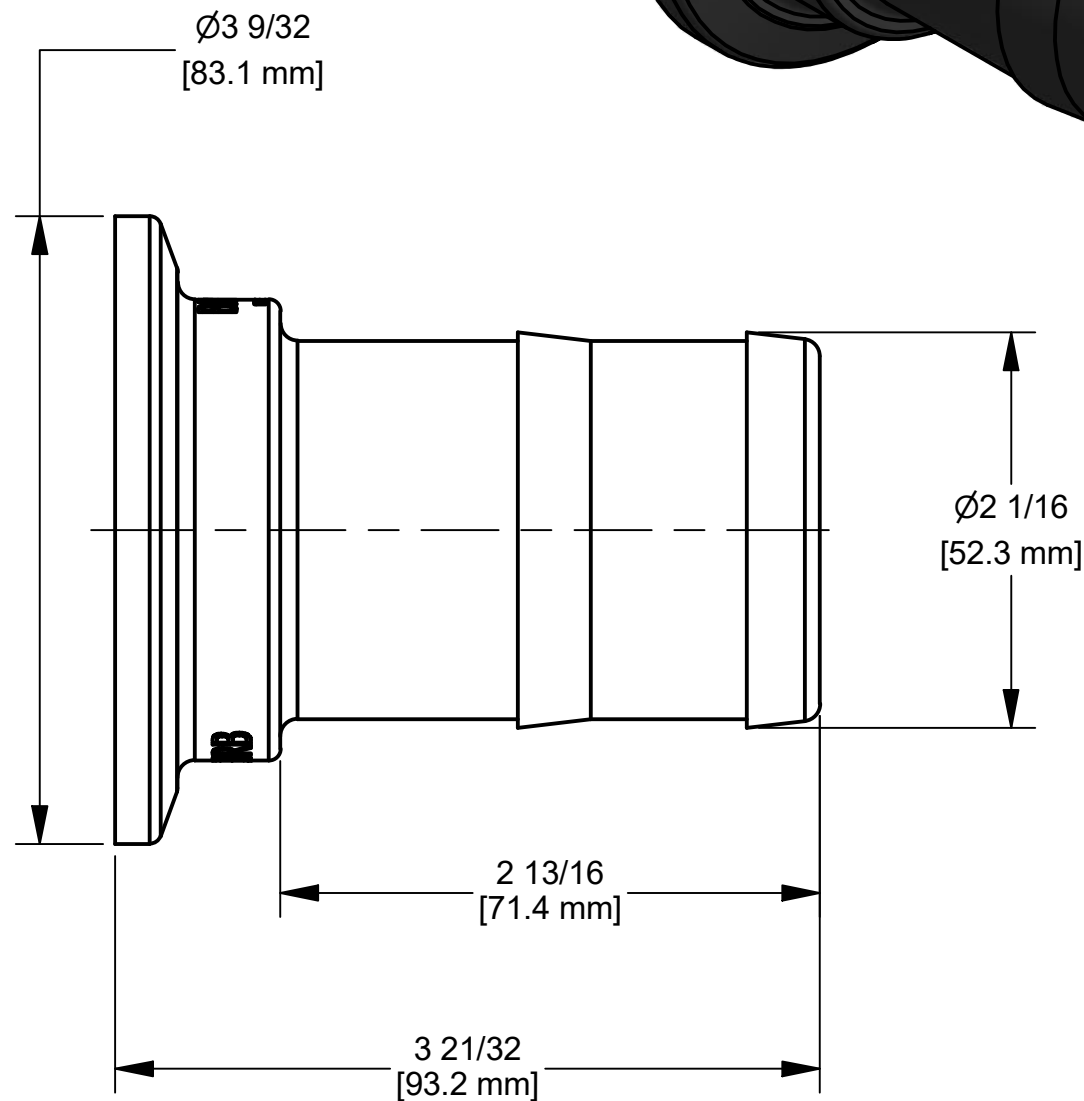
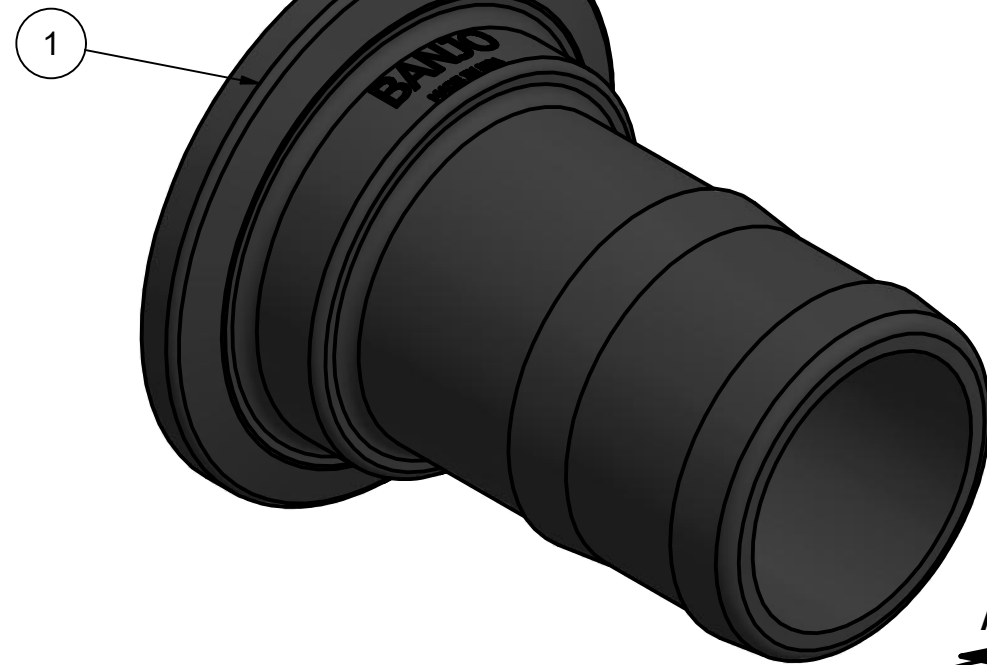


| PARTS LIST |     |             |                                 |
|------------|-----|-------------|---------------------------------|
| ITEM       | QTY | PART NUMBER | DESCRIPTION                     |
| 1          | 1   | M220BRBU    | 2" FP MNFLD HOSE BARB, UNBAGGED |



NOTE: PARTS ARE TO BE BAGGED.

THIS DRAWING AND ALL INFORMATION CONTAINED THEREON ARE THE EXCLUSIVE PROPERTY OF BANJO CORPORATION.

UNLESS SPECIFICALLY NOTED, THIS DRAWING AND ITEMS SHOWN ON THIS DRAWING ARE SUBJECT TO CHANGE AT ANY TIME.



**BANJO CORPORATION**  
 150 BANJO DRIVE, CRAWFORDSVILLE, IN 47933  
 WEB SITE: WWW.BANJOCORP.COM  
 E-MAIL: BANJOSALES@IDEXCORP.COM

DESCRIPTION  
 2" FP MNFLD HOSE BARB, UNBAGGED

PART NUMBER  
 M220BRB