

4

3

2

1

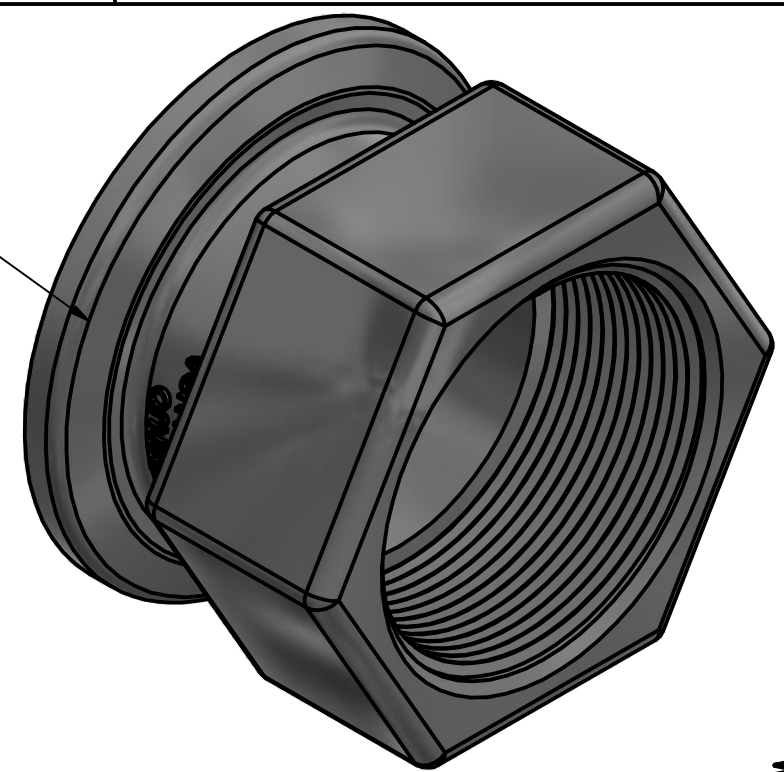
B

B

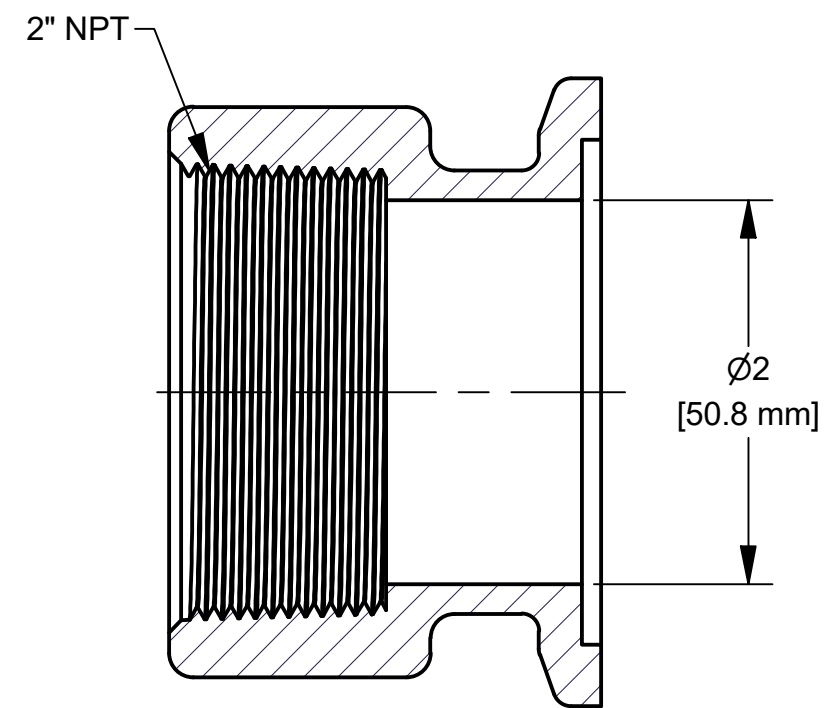
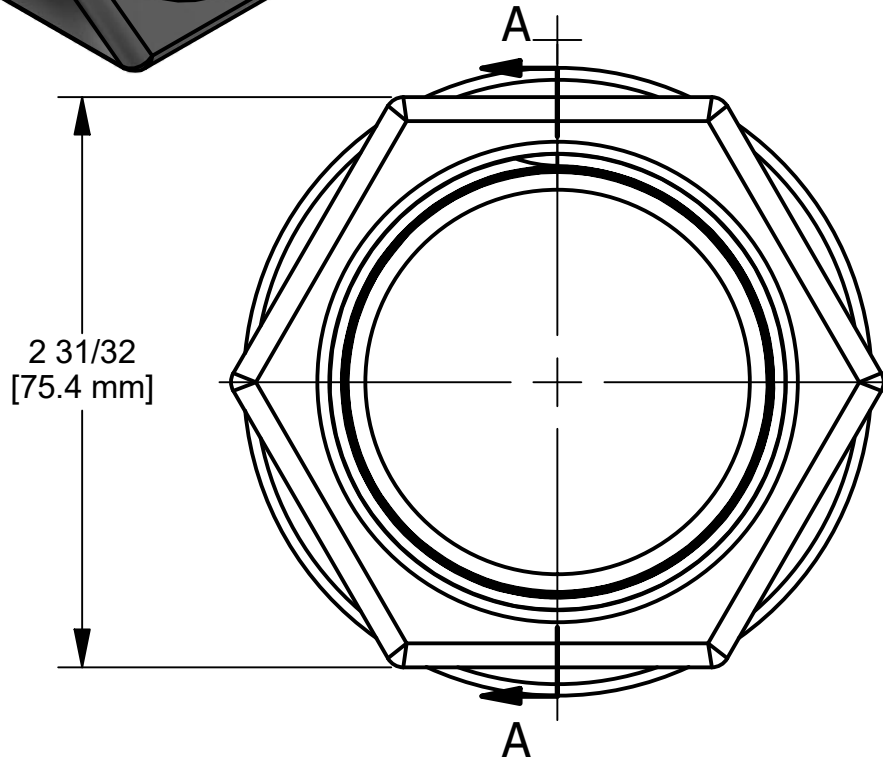
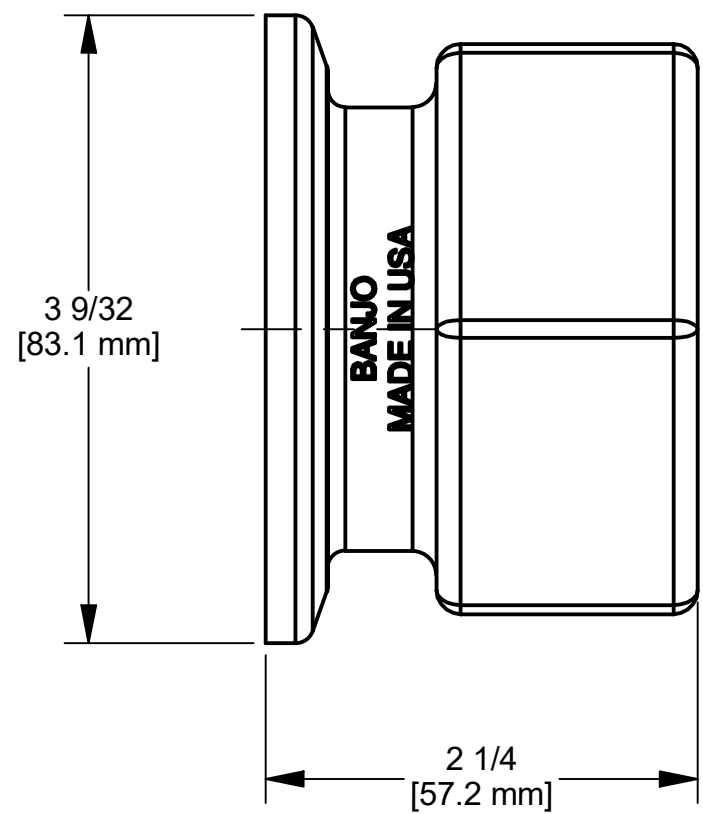
A

A

1



PARTS LIST			
ITEM	QTY	PART NUMBER	DESCRIPTION
1	1	M220FPTU	2" FP Manifold x 2" FNPT, Unbagged



NOTE: PARTS ARE TO BE BAGGED.

THIS DRAWING AND ALL INFORMATION CONTAINED THEREON ARE THE EXCLUSIVE PROPERTY OF BANJO CORPORATION.

UNLESS SPECIFICALLY NOTED, THIS DRAWING AND ITEMS SHOWN ON THIS DRAWING ARE SUBJECT TO CHANGE AT ANY TIME.

BANJO CORPORATION

150 BANJO DRIVE, CRAWFORDSVILLE, IN 47933
 WEB SITE: WWW.BANJOCORP.COM
 E-MAIL: BANJOSALES@IDEXCORP.COM

DESCRIPTION
 2" FP Manifold x 2" FNPT, Unbagged

PART NUMBER
 M220FPT

4

3

2

1

