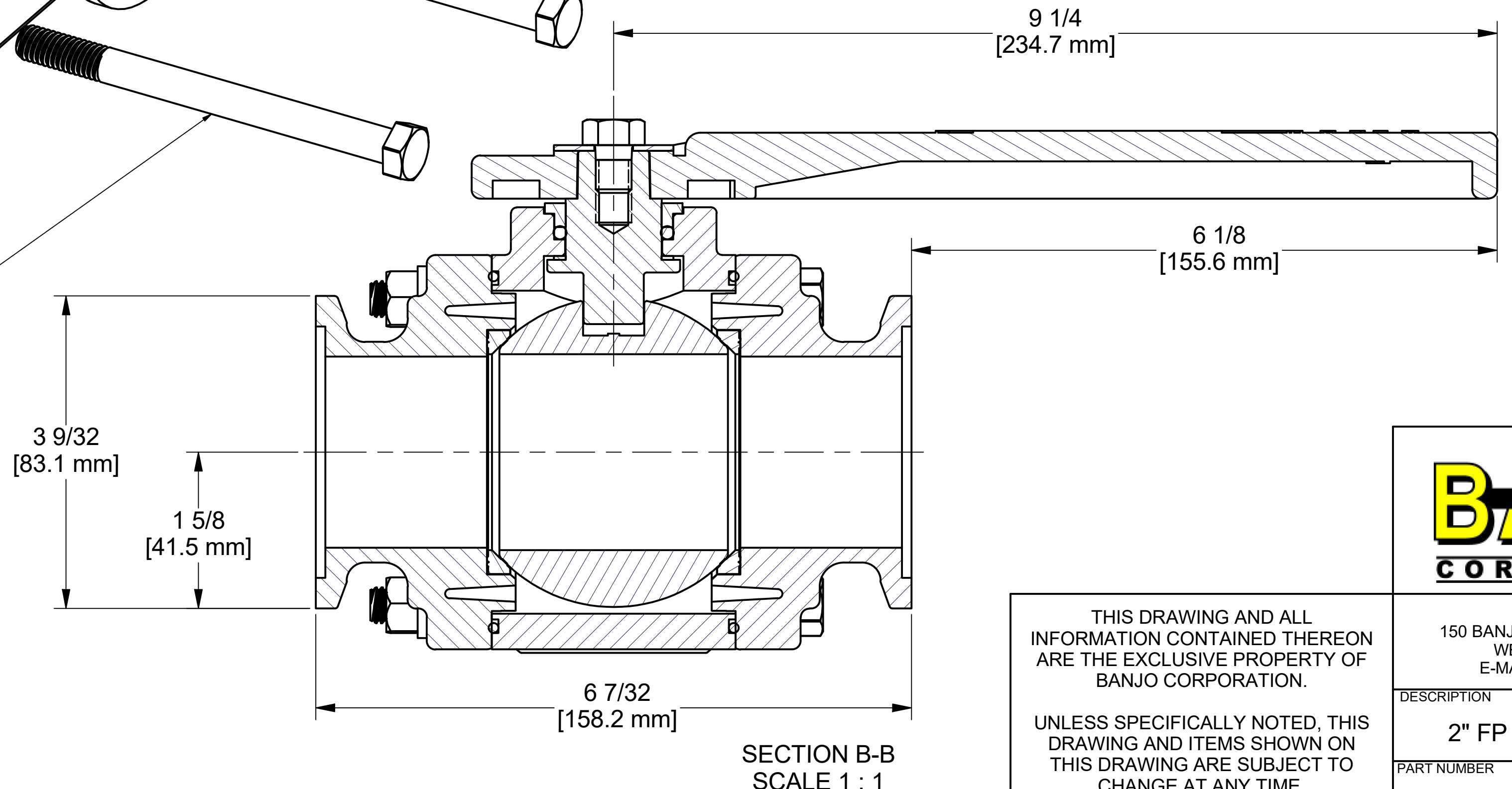
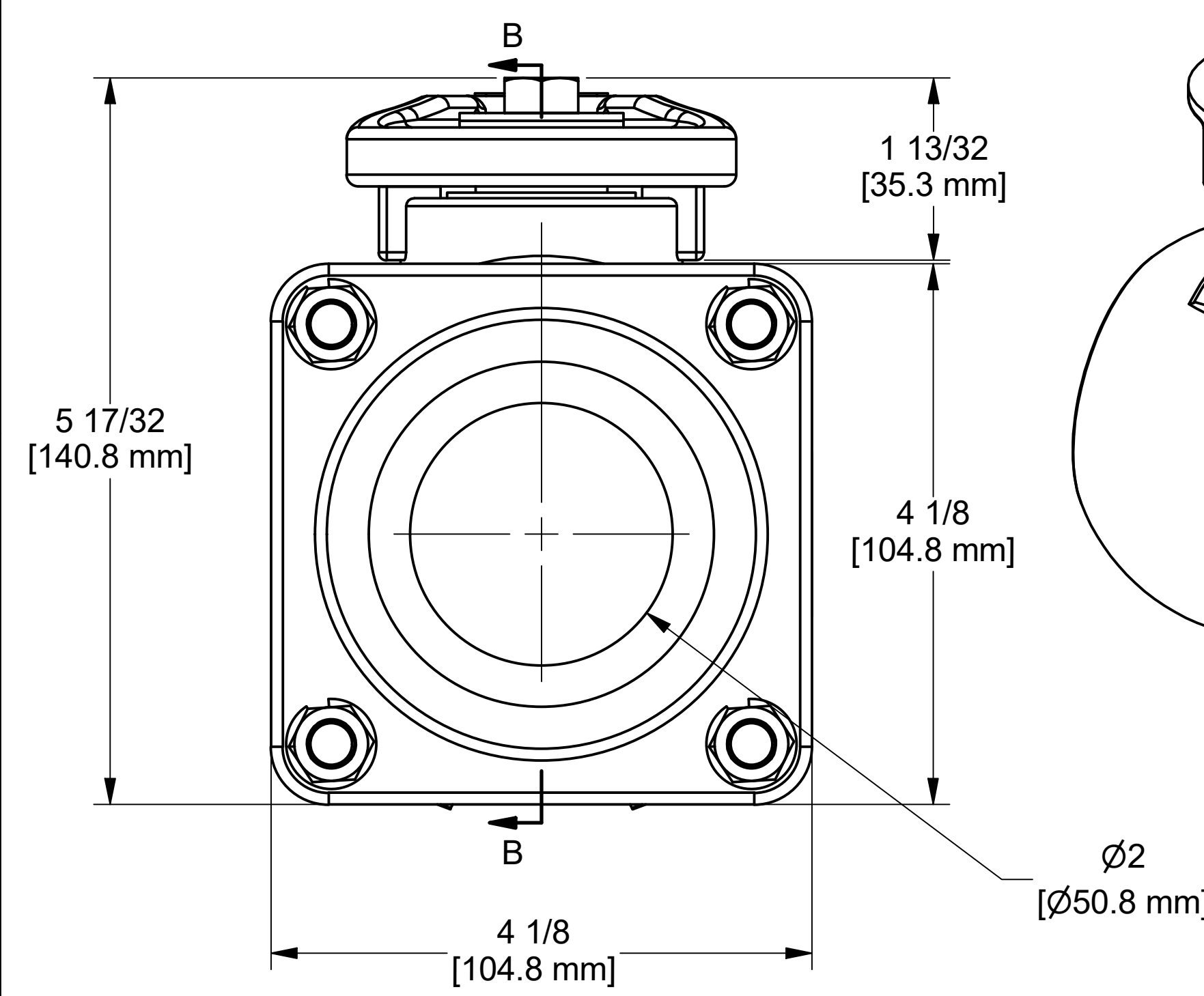
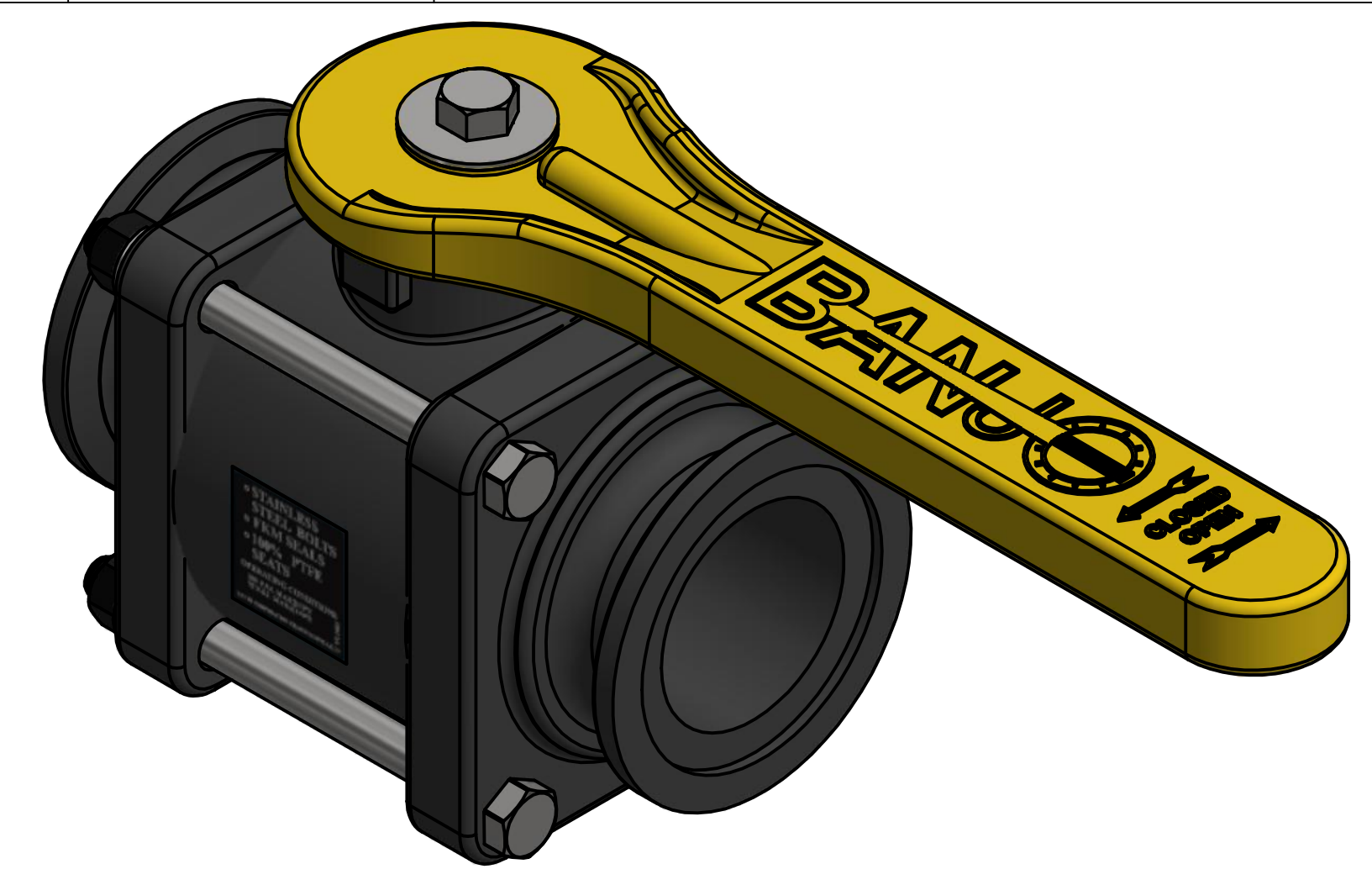


PARTS LIST			
ITEM	QTY	PART NUMBER	DESCRIPTION
1	4	V20018	3/8" LOCKWASHER
2	4	V20019	3/8" HEX NUT
3	4	V25017	3/8-16 X 4 1/2" HHCS
4	1	V25020	3/8" Handle Bolt
5	1	V25060	VALVE STEM THRUST BEARING
6	1	V25121	3/8" Fender Washer
7	1	V25151B	STEM 2"FP & 3"FP, MACHINED
8	1	V25153	2" FP Handle
9	1	V25160	Stem Bushing
10	1	V25163	AS568A -214 O-RING, FKM, BROWN
11	1	V25254	2" FP VALVE BODY
12	1	V25255A	2" FP VALVE BALL, TUMBLED
13	2	V25258A	2" FP Valve Seat
14	2	V25264	O-RING, ID: 3.575", CS: 0.103, FKM
15	2	V25478	2" FP 4-BOLT MANIFOLD ENDPLATE, MACHINED
16	1	VL1001	150 PSI Pressure Label Viton Seals



THIS DRAWING AND ALL INFORMATION CONTAINED THEREON ARE THE EXCLUSIVE PROPERTY OF BANJO CORPORATION.

UNLESS SPECIFICALLY NOTED, THIS DRAWING AND ITEMS SHOWN ON THIS DRAWING ARE SUBJECT TO CHANGE AT ANY TIME.

BANJO CORPORATION  
 150 BANJO DRIVE, CRAWFORDSVILLE, IN 47933  
 WEB SITE: WWW.BANJO.CORP.COM  
 E-MAIL: BANJOSALES@IDEXCORP.COM

DESCRIPTION  
**2" FP - 4 BOLT FLANGED VALVE**

PART NUMBER  
**MV220CF**