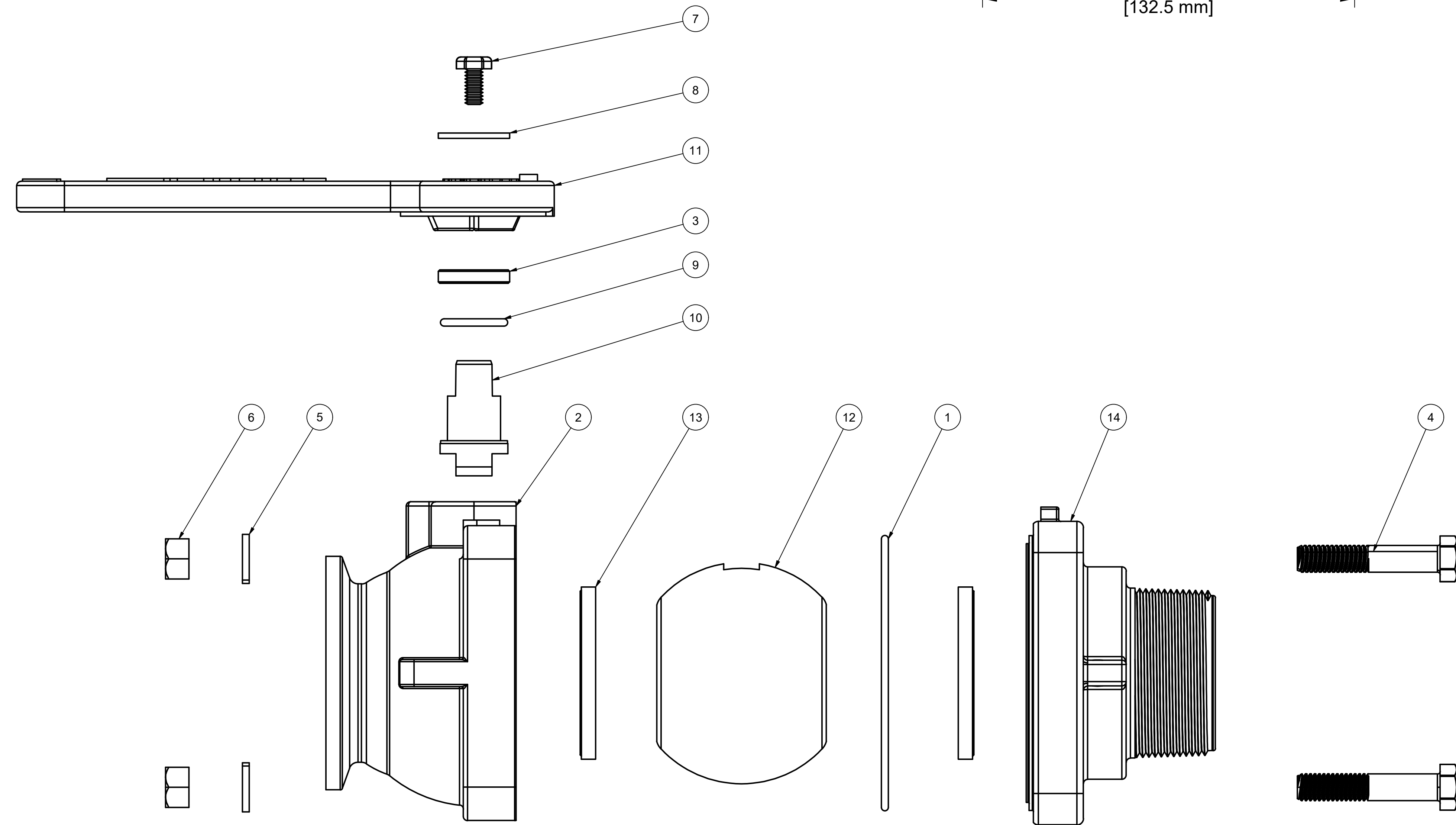


| PARTS LIST |     |              |  |
|------------|-----|--------------|--|
| ITEM       | QTY | PART NUMBER  | DESCRIPTION                                  |
| 1          | 1   | A93M250V     | 2.50 MM x 93 MM ID METRIC O-RING, FKM, BROWN |
| 2          | 1   | MV25254      | 2" FP MANIFOLD BODY, MACHINED                |
| 3          | 1   | SB075100188T | SLEEVE BEARING PTFE 3/4 x 1 x 0.188          |
| 4          | 4   | V20010SS     | 3/8-16 X 2" HHCS                             |
| 5          | 4   | V20018       | 3/8" LOCKWASHER                              |
| 6          | 4   | V20019       | 3/8" HEX NUT                                 |
| 7          | 1   | V20020       | 2" handle Bolt                               |
| 8          | 1   | V20021       | Handle Washer                                |
| 9          | 1   | V20163       | AS568A -116 O-RING, FKM, BROWN               |
| 10         | 1   | VS20151      | VALVE STEM W/ BEARING                        |
| 11         | 1   | VS25153      | 2" FP STUBBY HANDLE                          |
| 12         | 1   | VS25255      | 2" Stubby Full Port Ball                     |
| 13         | 2   | VS25258AR1   | 3" FP BALL SEAT                              |
| 14         | 1   | VSMT25356    | 2" FP 4-BOLT MALE THREAD ENDPLATE            |



THIS DRAWING AND ALL INFORMATION CONTAINED THEREON ARE THE EXCLUSIVE PROPERTY OF BANJO CORPORATION.

UNLESS SPECIFICALLY NOTED, THIS DRAWING AND ITEMS SHOWN ON THIS DRAWING ARE SUBJECT TO CHANGE AT ANY TIME.

BANJO CORPORATION  
 150 BANJO DRIVE, CRAWFORDSVILLE, IN 47933  
 WEB SITE: WWW.BANJO.CORP.COM  
 E-MAIL: BANJOSALES@IDEXCORP.COM

DESCRIPTION  
 2"FP STUBBY MANIFOLD VALVE w/ MALE THREAD EP

PART NUMBER  
 MVSM220FP